



**GLENSOUND  
ELECTRONICS LTD**

**GS1U-050**

**Twin G722/G711 Codec**

**PRODUCT DETAILS**

# GLENSOUND ELECTRONICS LTD

---

*GS1U-050 Twin G722/G711 Codec HANDBOOK CONTENTS*

---

*DATE 26/11/02*

*WP06-280*

*ISSUE No. 2*

---

	<b>DESCRIPTION</b>	<b>DRAWING No.</b>
1.	Approvals	AP74-01
2.	GS1U-050 Front & Rear Views	A2-14710
3.	GS1U-050 Block Diagram	A4-14738
4.	Twin Codec Circuit Diagram	A2-14736
5.	Operating Instructions	WP08-03
6.	User Settings	AP74-10

# APPROVALS

---

C E

This product conforms to the requirements of EMC DIRECTIVE 89/336/EEC

Emissions Standards	EN 50081-1
Immunity Standards	EN 50082-1

---

## BABT APPROVAL

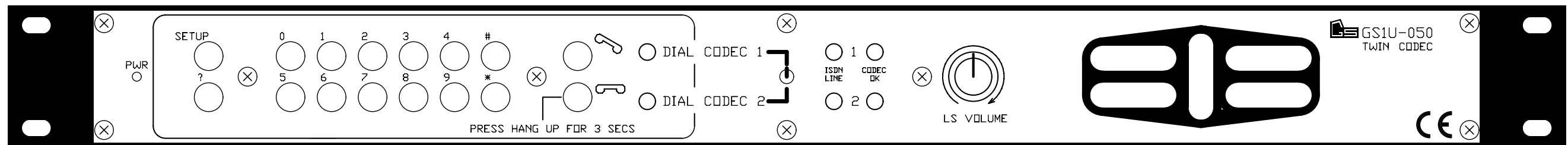
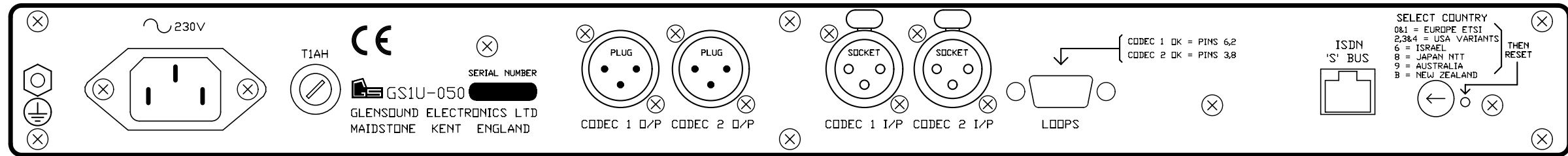
This device incorporates a Teltrend 'MIDAS' ISDN Basic Rate Module which has been approved by the British Approval Board for Telecommunication (BABT) for connection to the Integrated Services Digital Network (ISDN). The following administrative approval number has been given to this product:

**AA604381**

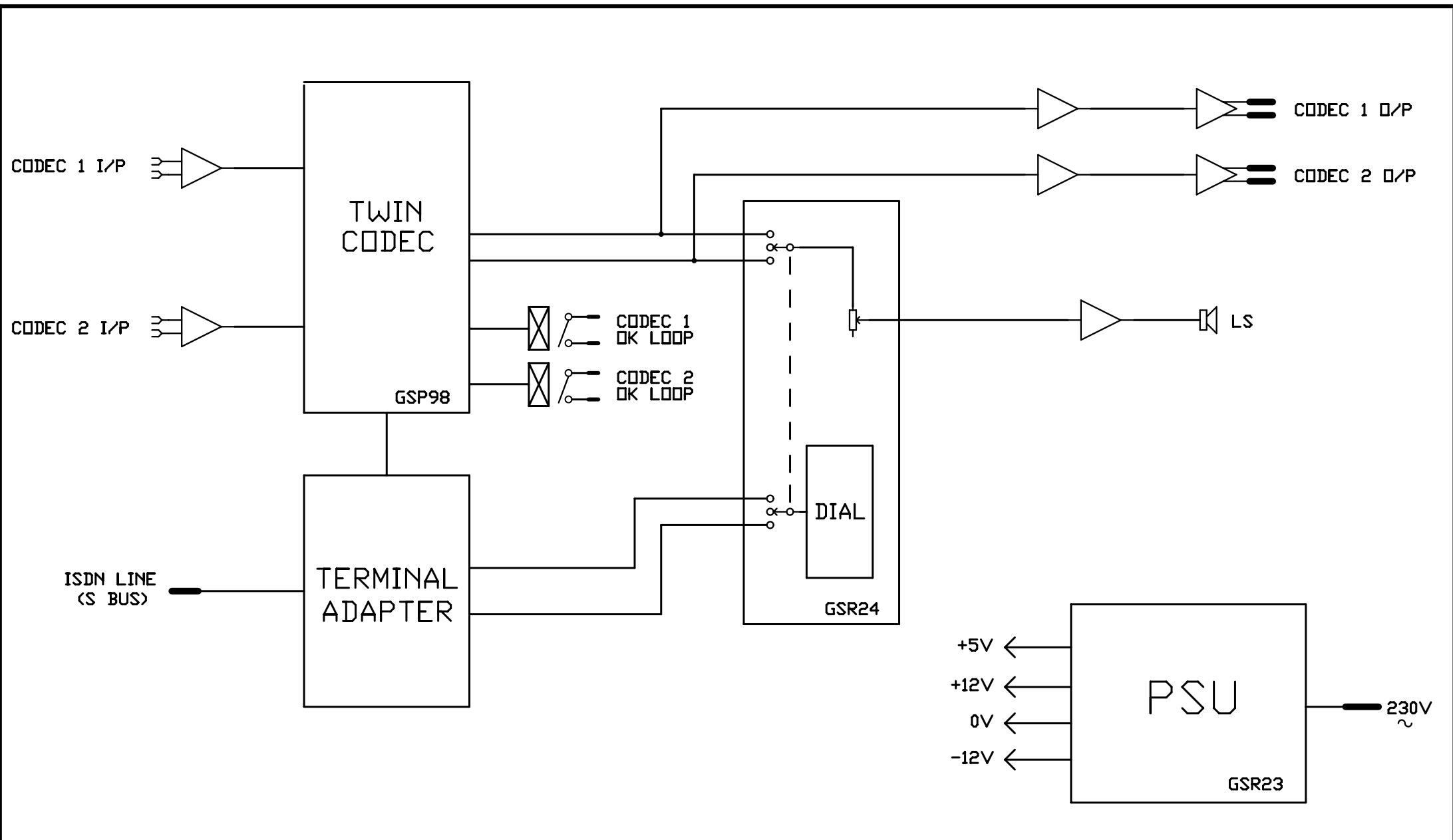
---

## INTERIM CTR APPROVAL

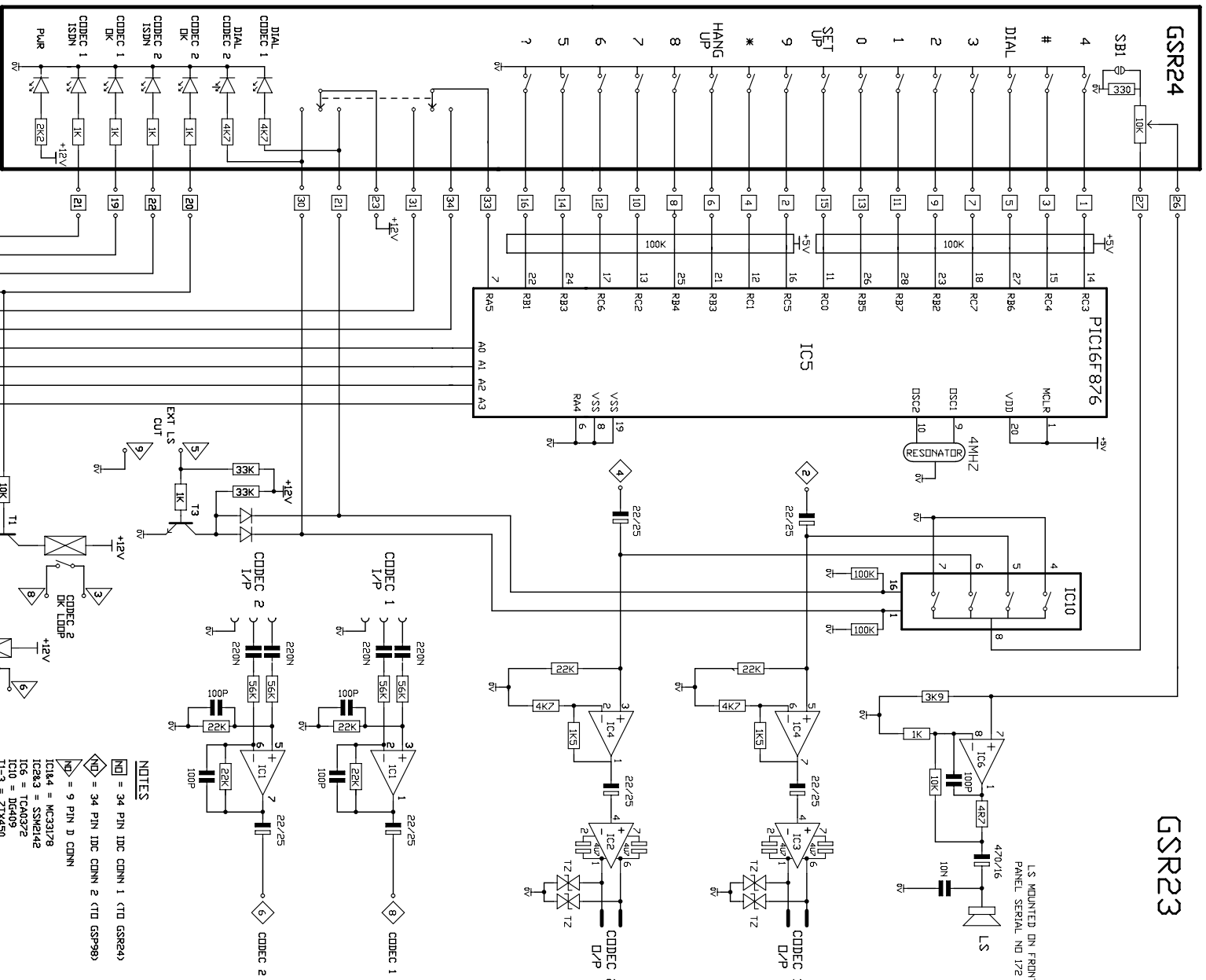
The Teltrend 'MIDAS' Basic Rate Module has interim CTR approval so the Glensound GSGC9 modules are approved for use in any country in the EEC



ISSUE	DATE	DRAWING NUMBER
1	08/11/02	A2-14710
2	06/02/03	
		DRAWN BY
		ORIGINALLY DRAWN USING AUTOTRAX



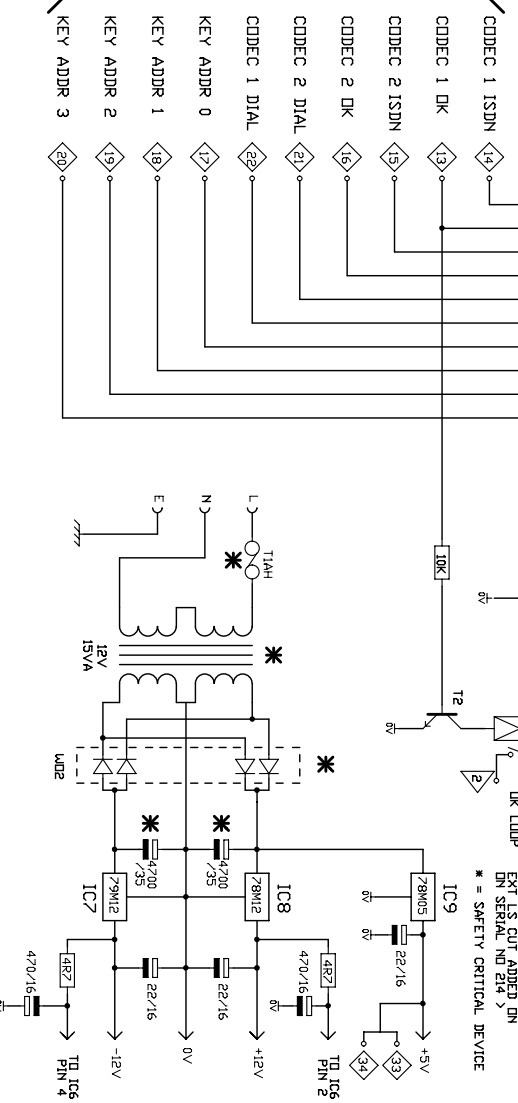
ISSUE	DATE	DRAWING NUMBER
1	04/12/02	A4-14738
		ORIGINALLY DRAWN USING AUTOTRAX



GSR23

LS MOUNTED ON FRONT PANEL SERIAL NO 123 >

T0  
GSP98



NOTES

- = 34 PIN IDC CONN 1 (TO GSR24)
- ◇ = 34 PIN IDC CONN 2 (TO GSP98)
- ◇ = 9 PIN D CONN
- IC84 = MC33178
- IC83 = SSM242
- IC6 = TCA0372
- IC10 = DG409
- T1-3 = 2TX450
- EXT LS CUT ADD'D ON DN SERIAL NO 214 >
- \* = SAFETY CRITICAL DEVICE

ISSUE	DATE	DRAWING NUMBER
1	03/12/02	A2-14736
2	06/02/03	
3	17/11/04	DRAWN BY CJH
4	03/01/06	ORIGINALLY DRAWN USING AUTOTRAX

**GLENSOUND ELECTRONICS LTD**  
**OPERATING INSTRUCTIONS**

26-11-2002  
File WP08-03  
Issue 1

***GS1U-050 ISDN UNIT***

- GENERAL** This equipment is controlled by using the front panel Keypad.
- CODEC SELECTION** This unit houses 2 completely independent Codecs. A 3 position front panel toggle switch determines which of the 2 Codecs the keypad will control. The centre position of this toggle switch is a 'safe' position which disables the keypad.
- MONITORING** A front panel loudspeaker is used for monitoring the functions of the 2 codecs. The Volume control of this loudspeaker has an 'end stop resistor' and therefore cannot be completely turned down. An internal solder pad link is fitted so as an engineer can remove this end stop resistor enabling the volume control to be completely turned down.
- ENTER SETUP** To enter the setup menu it is necessary to hold the grey 'set up' button for a few seconds.
- CONFIG** Once in the setup menu it is only necessary to listen to the instructions. It is, at this stage, possible to directly enter a particular configuration if you know the correct number to insert.
- LEAVE SETUP** To leave the setup press the red 'CLEAR' button.
- DIALLING** It is now only necessary to enter the number you require terminated with the green 'DIAL' button. Hold the 'DIAL' button until the dialling is confirmed.
- DIALLING MEMORIES** First enter '#' followed by the two digit memory number. Then press and hold the 'DIAL' button until the dialling is confirmed
- HANG-UP** To hang up press the red 'CLEAR' button. For safety, if a call is in progress, it is necessary to hold the 'CLEAR' button for several seconds.
- RE-DIAL** To redial the last number called just press the 'DIAL' button.
- QUERY** At any time if you press the yellow '?' button the GS1U-050 will inform you of its present condition. For safety, if a call is in progress, it is necessary to hold the '?' button for several seconds before the GS1U-050 replies.

# **GLENSOUND ELECTRONICS LTD**

## ***SETTING UP THE GS1U-050 ISDN SUBRACK***

### **HARDWARE SETUP**

There is a rotary 16 position switch on the rear panel of the GS1U-050. This selects different versions of terminal adapter software optimised for different countries. This switch is read as the GS1U-050 is powered up. If you turn this switch it is therefore essential to reset the GS1U-050 or by turning it off and then back on or by pressing the small reset button on it's rear panel.

The variations are as follows:-

Switch position		
0	EUROPE	ETSI Standard (the default)
1	EUROPE	ETSI Standard (identical to 0)
2	USA	AT&T
3	USA	National ISDN 1
4	USA	Northern Telecom
5	EIRE	
6	ISRAEL	
7	HOLLAND	
8	JAPAN	NTT
9	AUSTRALIA	
A	FRANCE	
B	NEW ZEALAND	

**Please note that as time passes most countries are moving towards the ETSI standard.**



# SOFTWARE SETUP

Many parameters of the GS1U-050 can be set up by the operator. It is important to realize that each GS1U-050 subrack contains two independent codecs and each one must be set up individually.

## TO ENTER SETUP MODE

Select which Codec to control by using the front panel toggle switch and then press and hold the grey set up button for a couple of seconds.

## SETUP TREE

On entering setup a menu of commands is available. A recording informs you of the function of each button which are as follows:-

### MAIN MENU

Press CLEAR	to Leave Setup
ZERO	for Current settings
ONE	to change User settings
TWO	to change ISDN settings
THREE	to change Memories
QUERY (?)	to Repeat

0) **CURRENT SETTINGS** A full list of the current settings

1) **USER SETTINGS**

Press CLEAR for Main Menu

**Zero** for Current User Settings

**One** to Change Answer Mode. Each Press toggles between:-

- 1) Auto Answer
- 1) Manual Answer

**Two** to Change Progress Reporting. Each Press toggles between:-

- 2) Full Call Progress
- 2) Query call Progress

**Three** to Change Ident.

Enter two digit Ident Number or press # to cancel.

**Four** to Change Announcement Volume

**Five** to change Dial Guard Time. Each Press toggles between:-

- 5) Dial Guard Time is Long
- 5) Dial Guard Time is Short

Press Query (?) to Repeat

Press CLEAR to return to Main Menu

## 2) ISDN SETTINGS

Press **CLEAR** for Main Menu

**Zero For Current ISDN Settings**

**One To Change Incoming Call Types**

- 1) Incoming Calls Barred
- 1) Incoming Telephone Calls Only
- 1) Incoming Broadcast Calls Only
- 1) Incoming Broadcast and Telephone Calls

**Two To Change Outgoing Call Types**

- 2) Outgoing Calls Barred
- 2) Outgoing Telephone Calls Only
- 2) Outgoing Broadcast Calls Only
- 2) Outgoing Broadcast and Telephones Calls

**Three To Change Broadcast MSN**

Enter Broadcast MSN if any, terminated with \* or Press # to Cancel

**Four To Change Telephone MSN**

Enter Telephone MSN if any, terminated with \* or Press # to Cancel

**Five To Change B Channel Map**

- 5) Calls on B2 Only
- 5) Calls on B1 or B2
- 5) Calls on B1 Only

**Six To Change SPID**

6) Enter SPID Terminated with \* or Press # to Cancel

Press **Query (?)** to repeat

Press **CLEAR** to return to Main Menu

## 3) MEMORIES

It is possible to store up to 99 frequently used numbers in each codec of the GS1U-050. These numbers are non volatile and are remembered even when the GS1U-050 is switched off. Each number must be 17 digits or less.

Enter the two digit number number of the required store. If you press '#' the operation will be cancelled and you will return to the Main Menu.

Enter New Number (up to 17 digits) terminated with '\*' or press '#' to Cancel